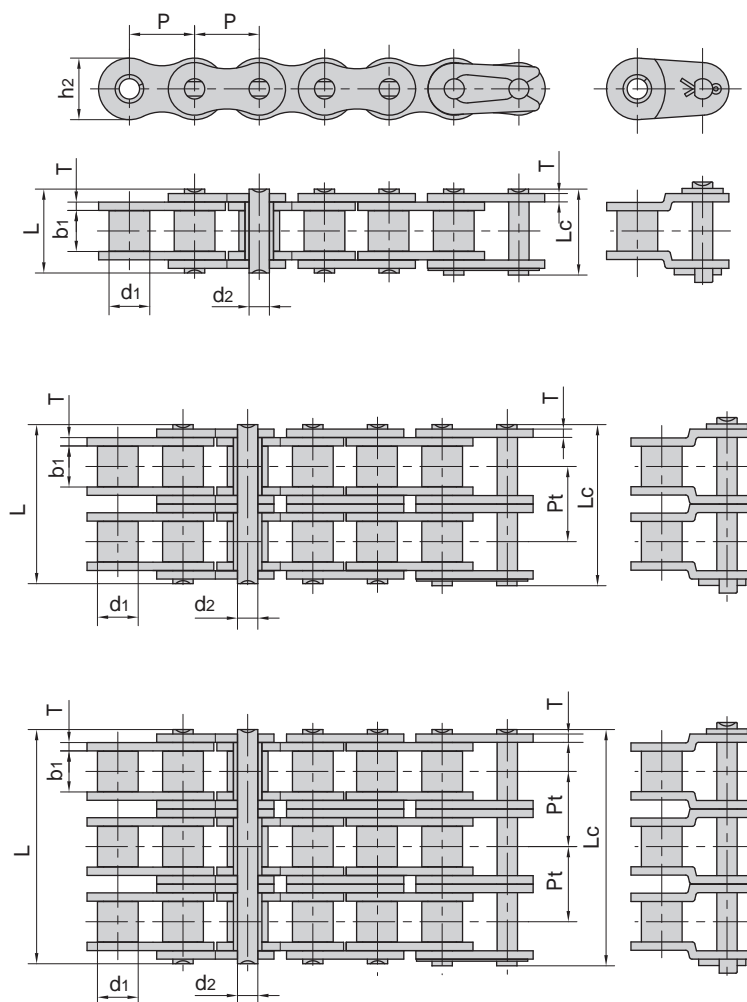


# 联合收割机链

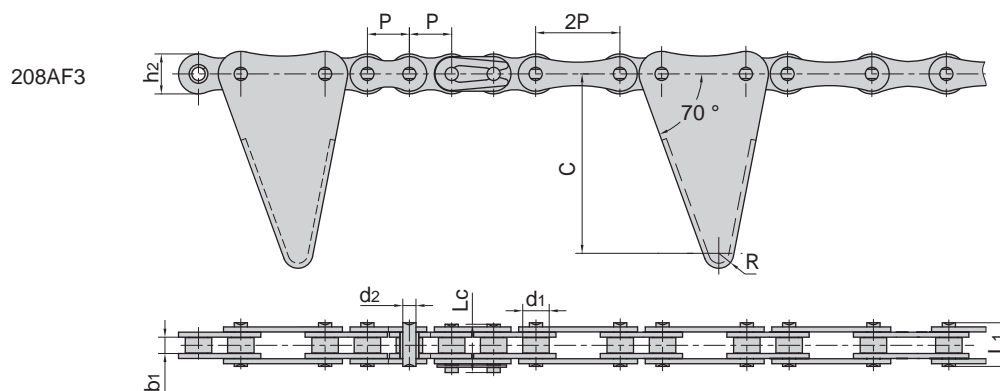
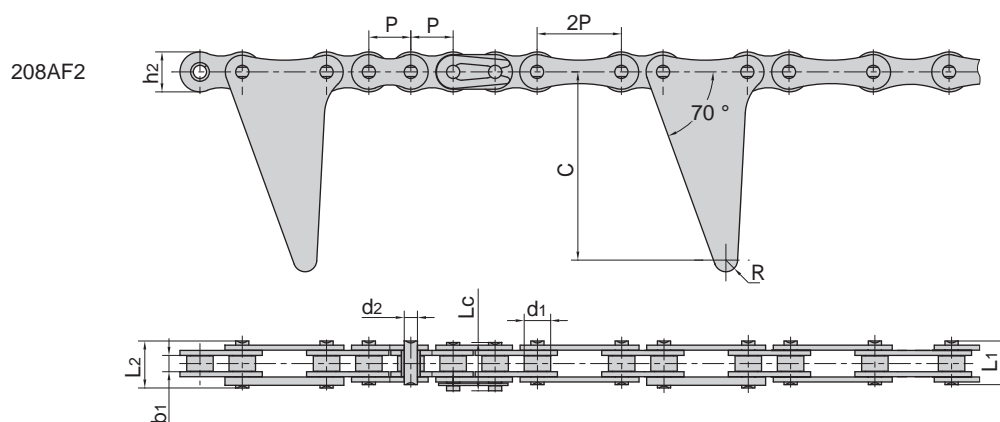
## Combine chains



链号	节距	滚子直径	内节内宽	销轴直径	销轴长度	内链板高度	链板厚度	排距	极限拉伸载荷	平均拉伸载荷	每米长重	
Chain No.	Pitch	Roller diameter	Width between inner plates	Pin diameter	Pin length	Inner plate depth	Plate thickness	Transverse pitch	Ultimate tensile strength	Average tensile strength	Weight per meter	
	P	d1 max	b1 min	d2 max	L max	Lc max	h2 max	T max	Pt	Q min	Q0	q
	mm	mm	mm	mm	mm	mm	mm	mm	mm	kN/bf	kN	kg/m
08B-1	12.700	8.51	7.75	4.45	16.7	18.2	11.80	1.60	-	18.0/4091	19.4	0.69
08B-3	12.700	8.51	7.75	4.45	45.1	46.1	11.80	1.60	13.92	47.5/10795	57.8	2.03
10A-1	15.875	10.16	9.40	5.08	20.7	22.2	15.09	2.03	-	22.2/5045	29.4	1.02
10A-2	15.875	10.16	9.40	5.08	38.9	40.4	15.09	2.03	18.11	44.4/10091	58.1	2.00
12A-1	19.050	11.91	12.57	5.94	25.9	27.7	18.00	2.42	-	31.8/7227	41.5	1.50
16A-1	25.400	15.88	15.75	7.92	32.7	35.0	24.00	3.25	-	56.7/12886	69.4	2.60
80H-1	25.400	15.88	15.75	7.92	36.2	37.7	24.00	4.00	-	56.7/12886	71.4	3.10

# 联合收割机链

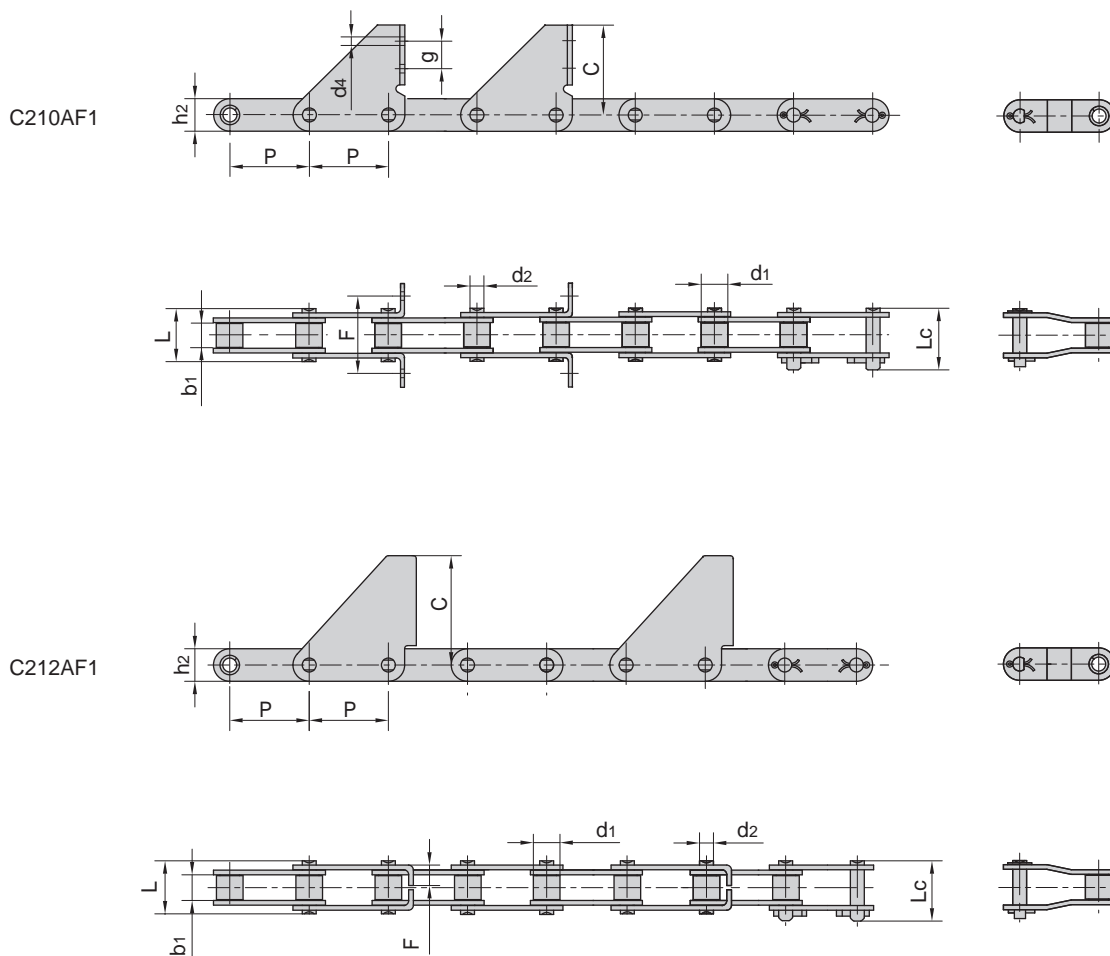
## Combine chains



链号 Chain No.	节距 Pitch	滚子直径 Roller diameter	内节内宽 Width between inner plates	销轴直径 Pin diameter	销轴长度 Pin length			内链板高度 Inner plate depth	附板尺寸 Attachment dimension		极限拉伸载荷 Ultimate tensile strength	平均拉伸载荷 Average tensile strength
	P	d1 max	b1 min	d2 max	L1 max	L2 max	Lc max	h2 max	C	R	Q min	Q0
	mm	mm	mm	mm	mm	mm	mm	mm	mm	mm	kN/lbf	kN
208AF2	12.7	7.95	4.80	3.96	13.1	14.7	14.5	12.0	56.5	3.5	13.8/3136	16.0
208AF3	12.7	7.95	4.80	3.96	13.1	-	14.5	12.0	60.5	4.5	13.8/3136	16.0
208AF3A	12.7	7.95	7.85	3.96	16.6	-	17.8	12.0	60.5	4.5	13.8/3136	16.0

# 联合收割机链

## Combine chains



链号	节距 Pitch	滚子直径 Roller diameter	内节内宽 Width between inner plates	销轴直径 Pin diameter	销轴长度 Pin length	内链板高度 Inner plate depth	附板尺寸 Attachment dimension				极限拉伸载荷 Ultimate tensile strength	平均拉伸载荷 Average tensile strength	
Chain No.	P	d1 max	b1 min	d2 max	L max	Lc max	h2 max	F	C	d4	g	Q min	Q <sub>0</sub>
	mm	mm	mm	mm	mm	mm	mm	mm	mm	mm	mm	kN/lbf	kN
C210AF1	31.75	10.16	9.40	5.08	20.7	23.3	15.0	35.20	54.0	7.0	23.0	21.8/4955	28.5
C212AF1	38.10	11.91	12.57	5.94	25.9	28.3	18.0	10.92	56.0	-	-	31.1/7068	38.7